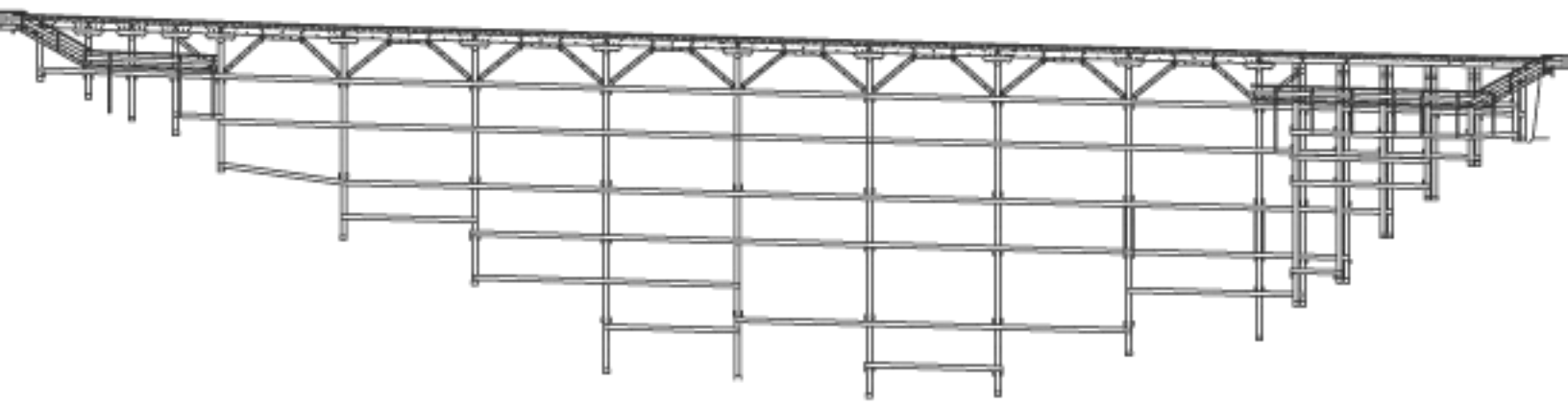
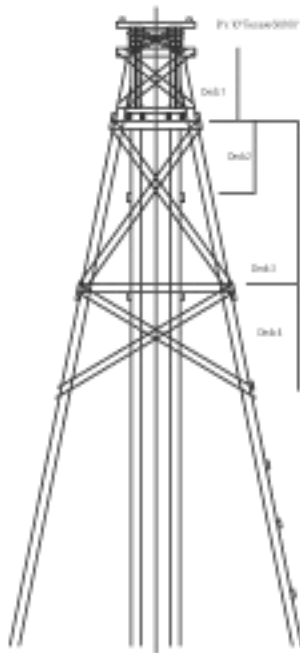




Section 1
Section 2
Section 3
Section 4
Section 5
Section 6



Double Road & Rail (1:1, 2:1)



WINDLOAD DIRECTION
Cross Point Inside
Steel Tower & DPC's Assembly
@ 100kPa, 100kPa, 100kPa

